

## FESTOON LED BULB

### Data Sheet

#### 6pcs LED Bulb Series

AB-06XXXX-XXXX-XX

#### Description:

These high voltage LED bulbs are specifically designed for electric equipment, indicator light switch and where a wide view angle.

The 5mm round shaped radiation pattern (65°) and high luminous intensity ensure that these devices are excellent for wide field of view outdoor applications where a wide viewing angle and readability in sunlight are essential.

#### Selection guide:

AB-06XXXX-XXXX-XX

AB:A-BRIGHT product

5:Round type dimensions

X: Color

XXXV: Input voltage

X: Bulb Base

#### Feature:

- Wide view angle
- High luminous output
- Seven kind color
- Free to differentiate anode and cathode(Bi-Polar)
- Solid-state Vibration resistant
- Saving power
- Long life

#### Option:

- 12V DC
- Other industry standard base

***A-BRIGHT***

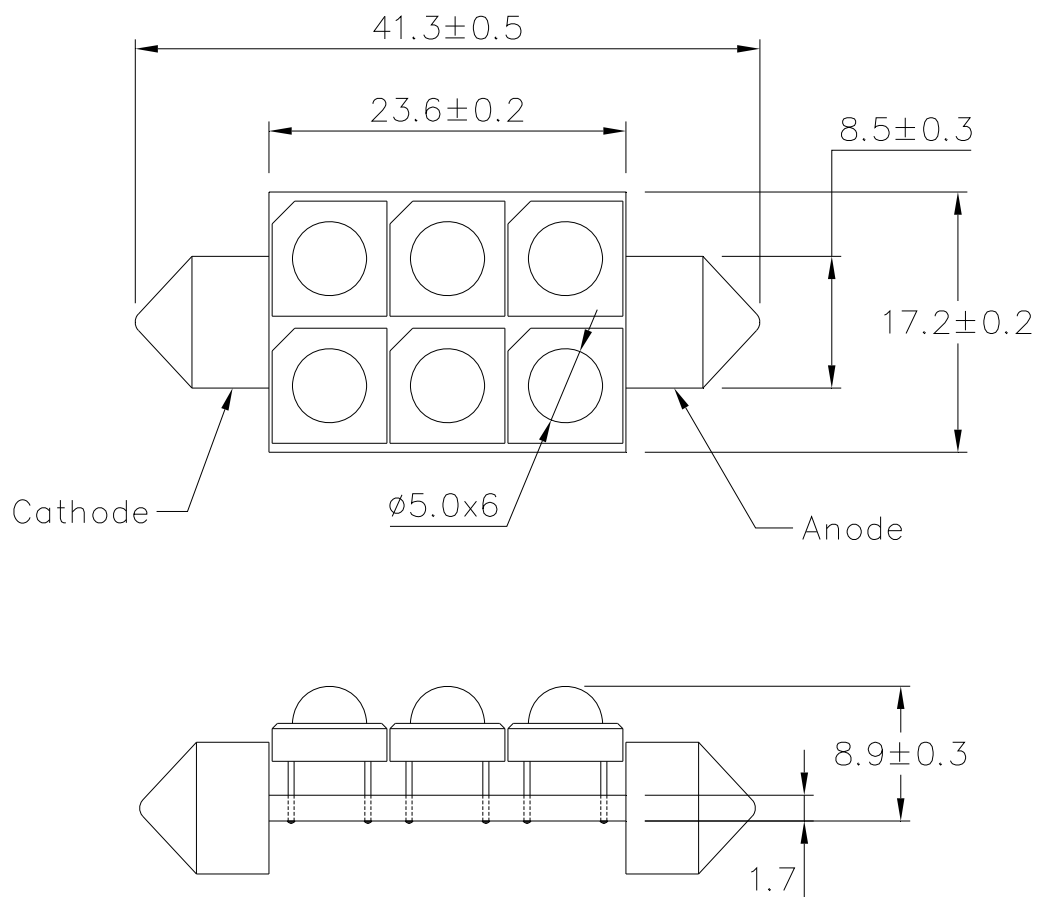
A-BRIGHT INDUSTRIAL CO.,LTD.

---

Part No.: AB-0651SW0-12VD-CF-B

6 Lamps LED Bulb

**PACKAGE DIMENSIONS:**



**NOTE:**

- 1. All dimensions are in millimeter.
- 2. All tolerance are  $\pm 0.25$ mm.

**Part No.: AB-0651SW0-12VD-CF-B**

**6 Lamps LED Bulb**

**FEATURE:**

- SUPER LUMINOSITY SUNSET WHITE LED (InGaN).
- WATER CLEAR PACKAGE.
- 5mm ALL RESIN MOLD.
- WIDE VIEWING ANGLE.
- ELECTRIC DC.

**MATERIALS:**

- LED LENS: UV RESISTENT EPOXY

**ABSOLUTE MAXIMUM RATING: Ta = 25 °C**

- PEAK OPERATE VOLTAGE..... 14 V
- OPERATING TEMPERATURE..... -25 TO +85°C
- STORAGE TEMPERATURE..... -35 TO +100°C
- LED BULB LIFE..... 20000 HOURS  
(LUMINANCE REDUCES to 50%)

**ABSOLUTE OPTICAL CHARACTERISTIC Ta= 25°C**

PARAMETER	SYMBOL	MIN	TYP	MAX	UNIT
Power dissipation	P <sub>O</sub>	----	0.5	----	W
Operate Voltage	V	----	12	14	V
Luminous Intensity	V <sub>IN</sub> = 12V DC I <sub>V</sub>	----	9500	----	mcd
Chromaticity Coordinates	V <sub>IN</sub> = 12V DC X	----	0.45	----	----
		Y	----	0.41	
Forward Current	V <sub>IN</sub> = 12V DC I <sub>F</sub>	----	35	----	mA
Viewing Angle	2θ <sub>1/2</sub>	----	65	----	deg